

HAL-TEX "COR-PLY"

2-PLY

CORRUGATED BUILDING PAPER "THE NEW STANDARD FOR WALL PROTECTION"

DESCRIPTION

A two-ply breather-type grade "D" asphalt kraft Building Paper which has *one corrugated ply* laminated to one smooth ply. This product is intended for use on building walls beneath the external finish as a *self-draining* building envelope material. The corrugated-ply provides *vertical channels* for easy drainage of incidental moisture. COR-PLY is intended for use in regions where a full rainscreen cavity (10 mm) is not a code requirement, but where better moisture protection for walls is desired. Exceeds 60 minute rating by a factor greater than 3.

USES AND BENEFITS

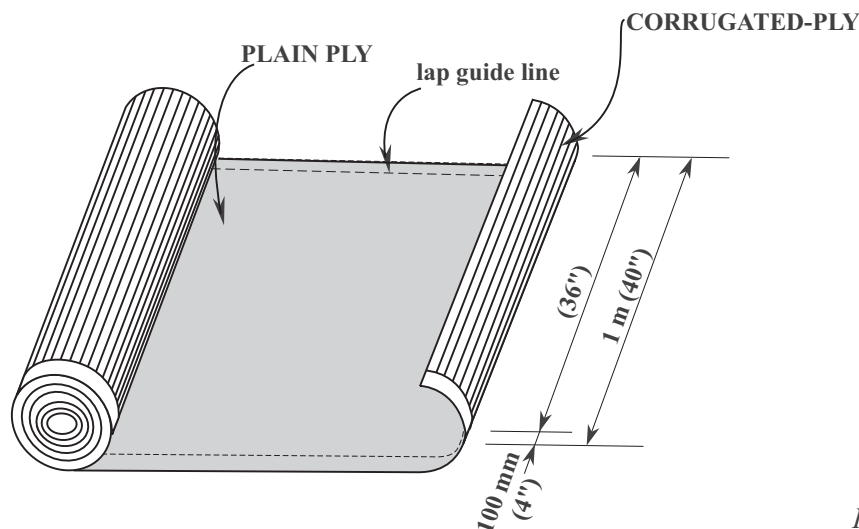
Intended for use on walls beneath stucco, stone or other types of wall finish where a separating drainage gap is desired between the structural wall surface and the external finish. COR-PLY combines three very effective ways to keep a wall dry:

1. **PHYSICAL SEPARATION** of the outer wall finish from the wall sheathing to reduce moisture ingress by capillary action or wicking.
2. **DRAINAGE PATHWAYS** for improved downward flow of any moisture which may bypass the outer wall finish through incidental points of entry, and
3. **EASIER VAPOUR RELEASE** from behind the wall cladding via channels vented to the atmosphere.

TECHNICAL DATA

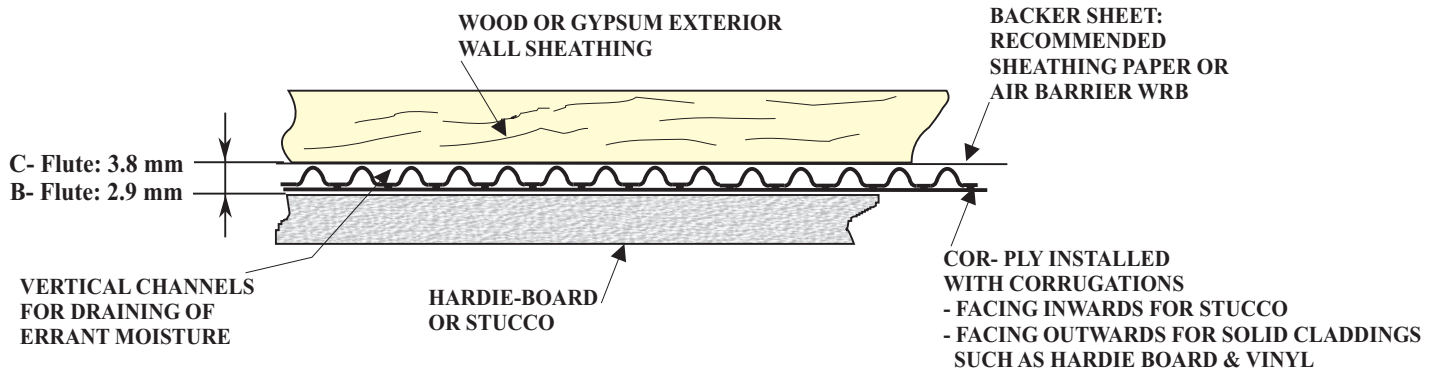
Width:	1 m (40") nom., 36" coverage.
Thickness:	3.8 mm nom. - C Flute 2.9 mm nom. - B Flute
Sheet Size & Coverage:	1m x 10m nom. coverage/roll = 36" x 33.3' (100 ft ²) - 18 rolls/ box C Flute 20 rolls/ box B Flute & 1m x 2 m nom. coverage/sheet = 36" x 80" (20 ft ²) - 100 sheets/ box
Water Vapour Permeance:	> 3.0 metric perms 264 ng/pa.sec m ² (ASTM E96)
Water Resistance:	230 minutes (UU-B-790a)
Compliance:	2012 & 2009 IBC & IRC codes. Each ply conforms to CAN 2-51.32 M77 & UU-B - 790a, grade D. Listed under CCMC # 11479-L and ICC-ES # ESR - 2829

FIGURE 1
COR-PLY



Page 1 of 3
Rev. Feb 13, 2014

**FIGURE 2: COR-PLY cross section shown "FULL SIZE"
in wall assembly**

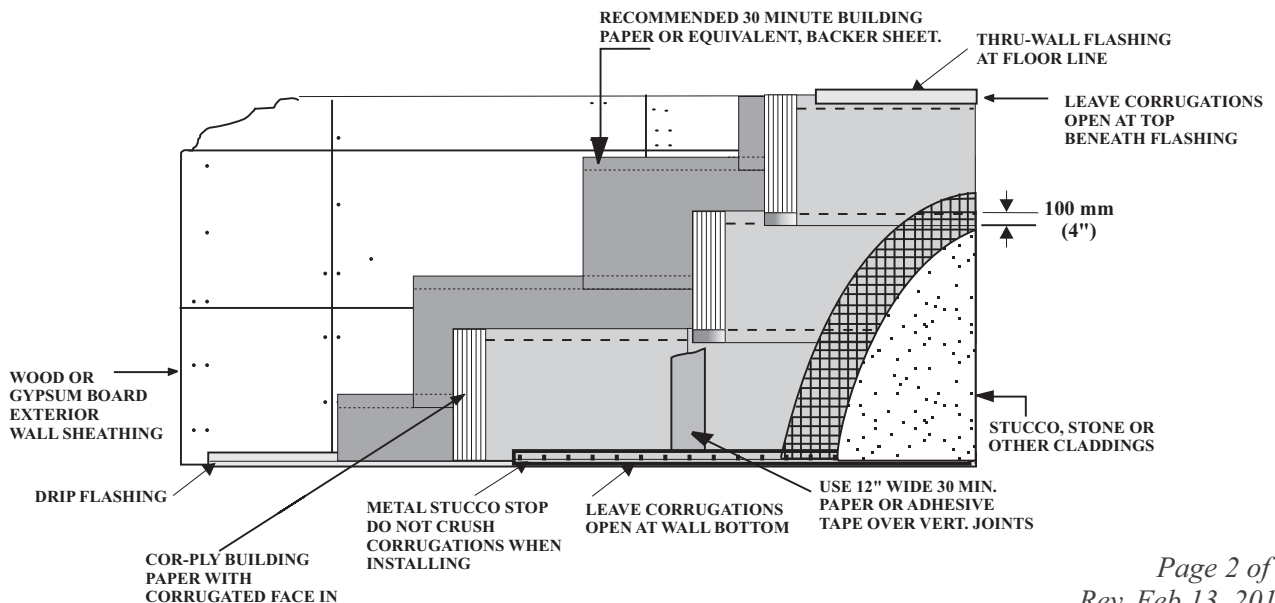


OPTION 1: FOR STUCCO OR STONE FACINGS - INSTALLATION GUIDE

- a. First cover the entire wall with one layer of a code - compliant weather resistant barrier (WRB) such as 30 minute building paper or a synthetic air barrier. Tie-in at windows to window flashings. Install drip flashings at wall bottom and at each floor line for moisture removal.
- b. Secondly install Cor - Ply with corrugations facing **INWARDS** as shown on diagram Fig 3. Use 3/8" long staples preferably driven with a hand stapler. The edge flap of higher sheets should overlap lower sheets in shingled fashion as shown.
- c. Only install as much Cor - Ply as can be covered with wire lath each day, to avoid wind damage.
- d. Install wire lath or expanded metal lath as usual then follow with a troweled stucco scratch coat. Once cured, install a finish coat of stucco or stone facing.

Follow appropriate building code for jurisdiction of use. Seek advise from a qualified building envelope professional for more complicated projects.

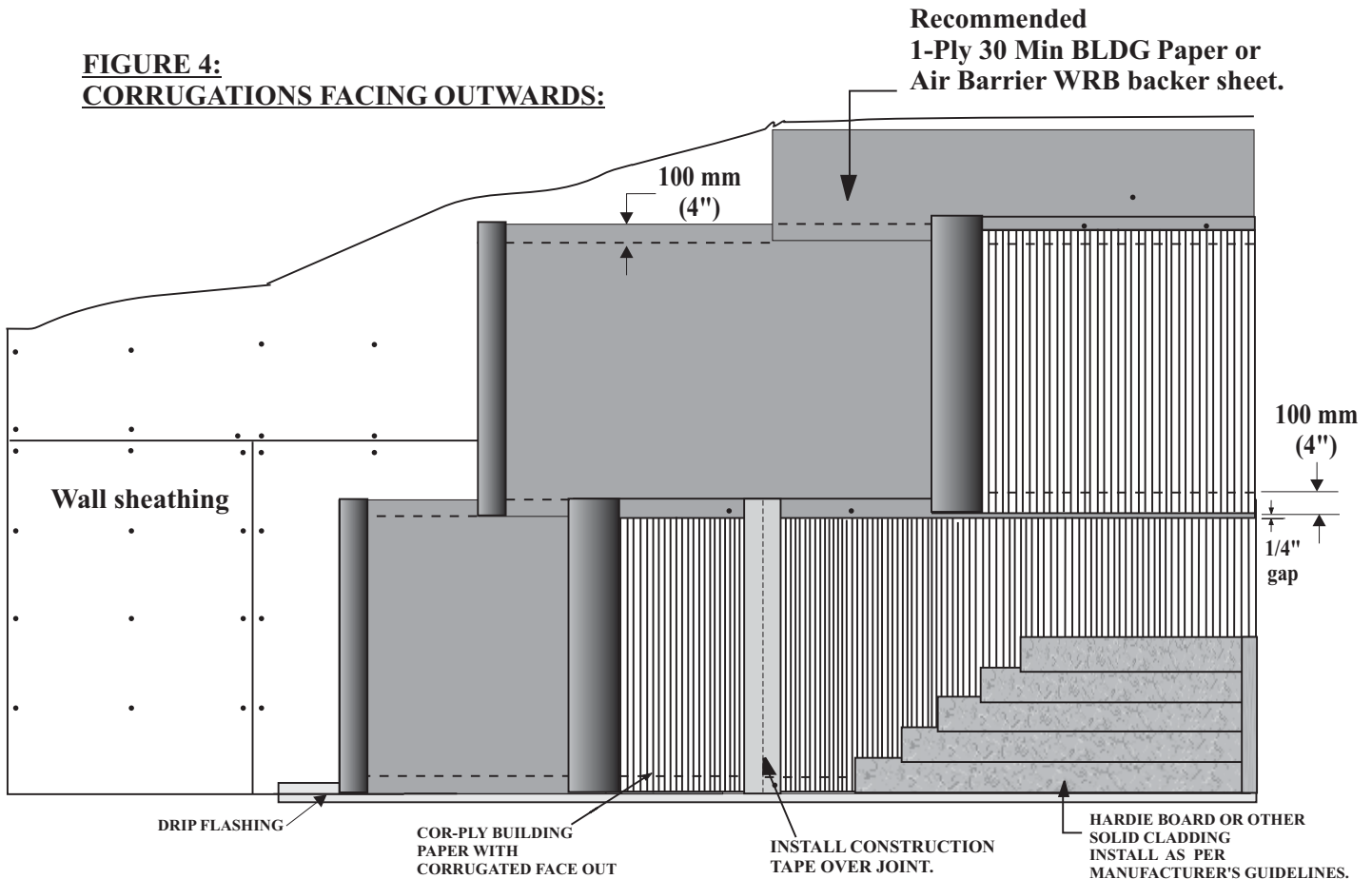
**FIGURE 3:
CORRUGATIONS FACING INWARDS:**



**OPTION 2: FOR HARDIE, VINYL OR OTHER SOLID SIDINGS -
INSTALLATION GUIDE**

- a. Optional: First install a single ply of code - compliant WRB backer sheet over the wall if required by local code or design authority. Install drip flashing at wall base and at each floor level for moisture removal.
- b. Then install Cor - Ply with corrugations facing **OUTWARDS**.
In this case the edge - flap will face upwards and each higher ply should overlap the edge flap in shingled fashion for positive drainage. All vertical joints shall be covered with a self-adhered construction tape such as Tuck - tape or equivalent. See Fig. 4.
- c. At windows or other openings, install Cor - Ply to achieve positive drainage of errant moisture. Generally Cor - Ply should be tucked beneath the membrane weather - flashings at sill and sides, and over the flashing at the top.
- d. Install Hardie board or other solid cladding material according to manufacturer's guidelines.

**FIGURE 4:
CORRUGATIONS FACING OUTWARDS:**



The information presented herein, while not guaranteed, is to the best of our knowledge true and accurate. Except when agreed to in writing for specific conditions of use, no warranty or guarantee expressed or implied is made regarding the performance of any product, since the manner of use and handling are beyond our control. The user of such information assumes all risk connected with the use thereof. Nothing contained herein is to be construed as permission or as a recommendation to infringe any patent.